



barrier-free
Acc.
to DIN
18040

HST 20 lift-and-slide door flat threshold

- Suitable for new construction and renovations
- For plastic lift-and-slide doors (winter gardens, patios, balconies)
- With PVC center section as optimum thermal isolation
- with load-bearing thermal insulation for threshold foundation

HST 20

New construction and renovation profile for lift-and-slide door systems (prefixed drainage channels are recommended)

Stock lengths 2500 to 6500 mm

Prefabricated delivery

Maximum user friendliness without wear or mechanics

Designed according to principles of universal design

COMPATIBILITY WITH THE FOLLOWING PROFILES:

Aluplast 8000, Gealan S9000, Profine 76, Profine 88, Rehau Synego, Rubo, Salamander eD82, Schüco LivingSlide, Vekamotion 82

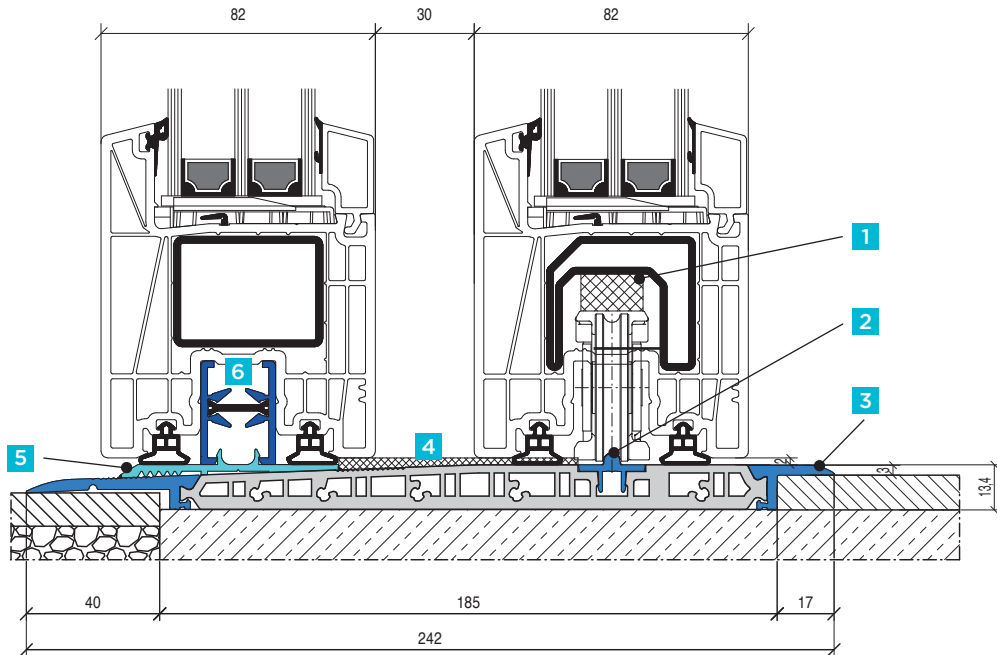
Last updated: Nov. 2024 - subject to technical modifications

Lift-and-slide door flat threshold
without floor recess, thermally insulated.
 Alu EV 1 anodized with PVC center section.

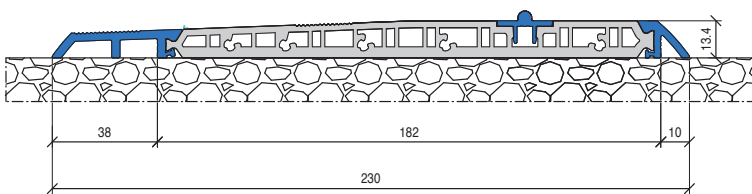
Calculation acc. to stock lengths: 2,500 / 3,000 / 3,500 /
 4,000 / 4,500 / 5,000 / 5,500 / 6,000 / 6,500 mm
 (Cut to fixed dimensions with decorative frame adapter pre-drilled ready for
 installation on threshold)

TYPE HST 20 with straight alu sills

Mounted on the rough floor. Sills cover the floor covering on both sides. Seal under flat threshold against pressurized water.

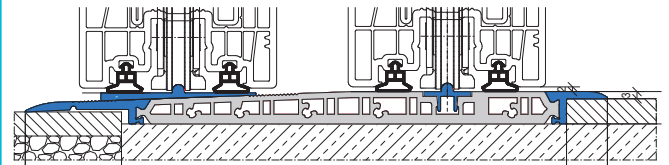


TYPE HST 20/1 SHORT with angular aluminum sills



max. stock lengths 6,000 mm.

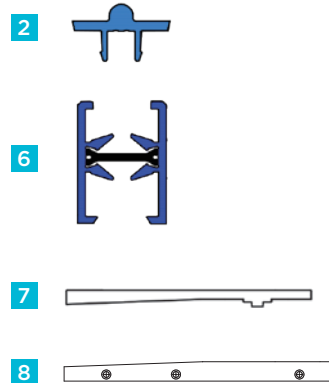
Compatible with **SCHEMA D**
 (two sliding leaves on two levels)



also with Schema A, C, F, G and K.

In general included in the scope of delivery:

- 1** One pair of plastic roller shimming, standard thickness, 1.5 mm x length 200 mm (Thickness can deviate depending on the system). Use as compensation profile on standard shimming from hardware manufacturer.
- 2** Aluminum roller guides EV 1 anodized to clip-on
- 3** Aluminum flat threshold EV 1 anodized with PVC center section, thermally insulated with protective film (Remove immediately after installation)
- 4** EPDM sealing cushion for middle joint
- 5** Plastic adapter for fixed part, light gray w. clipping function for **6**
- 6** thermally insulated compensation profile (system-dependent)
- 7** One pair of threshold connectors (system-dependent). Factory made holes on threshold (ready for installation).
- 8** One pair front PVC covers for flat threshold



When installing on the continuous floor (tile, marble, etc.) the sills on both sides are already adapted to the floor covering. Seal under flat threshold against pressurized water.

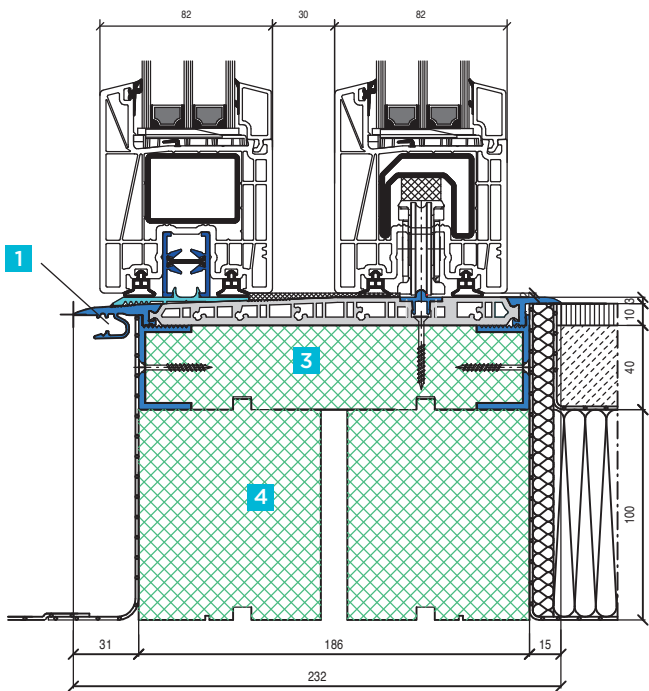
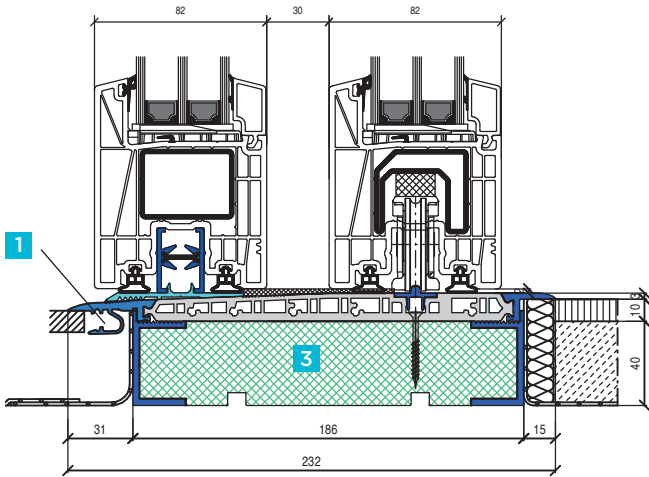
Note:

Due to various structural connection situations, condensation can occasionally form in the threshold area during extreme fluctuations in temperature. Driving rain seal should be requested depending on the system. Passive house compatibility is not certified. The PVC floor profile may cause UV-related discoloration. The protective film must be immediately removed after installation.

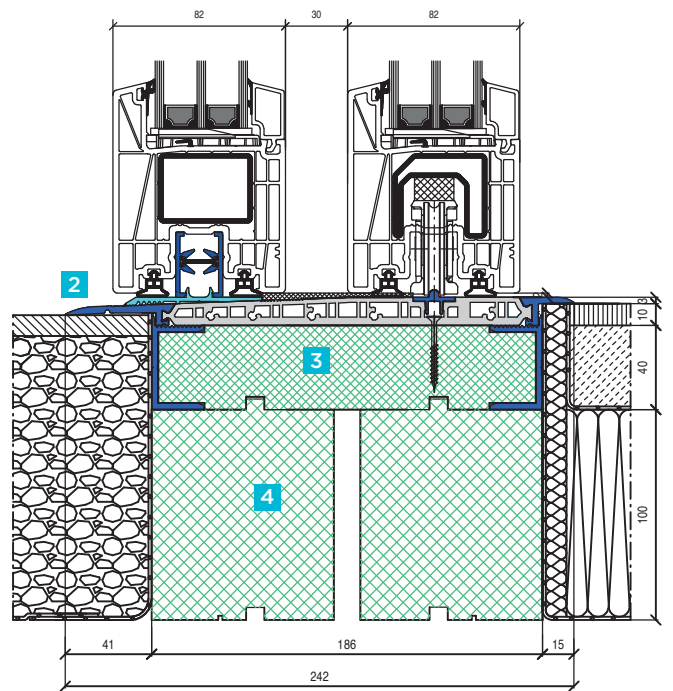
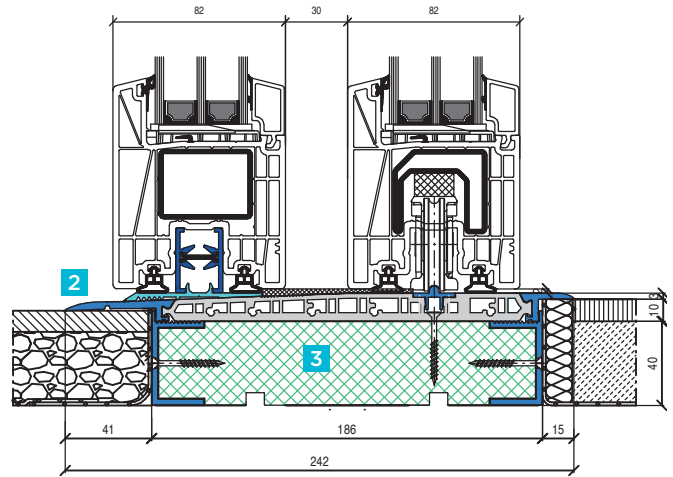
Lift-and-slide door flat threshold
with floor recess, thermally insulated.
 Alu EV 1 anodized with PVC center section.

Calculation acc. to stock lengths: 2500 / 3000 / 3500 / 4000
 / 4500 / 5000 / 5500 / 6,000 / 6,500 mm (Cut to length to fixed
 dimension with decorative frames, pre-drilled and ready for assembly on threshold)

TYPE HST 20/2



TYPE HST 20/3



1 Standard design **with** exterior clipping function for auxiliary profiles

2 Design with straight sills **without** exterior clipping function for auxiliary profiles

3 HST base profile for threshold foundation 182 x 40 mm (Material: PET).

4 Load-absorbing thermal insulation, two-part for sticking on the HST base profile (Plug connection of 30, 40 and 50 mm)*.

*Pos 4 available for additional charge

CALCULATION OF THE ENTIRE FLOOR STRUCTURE:

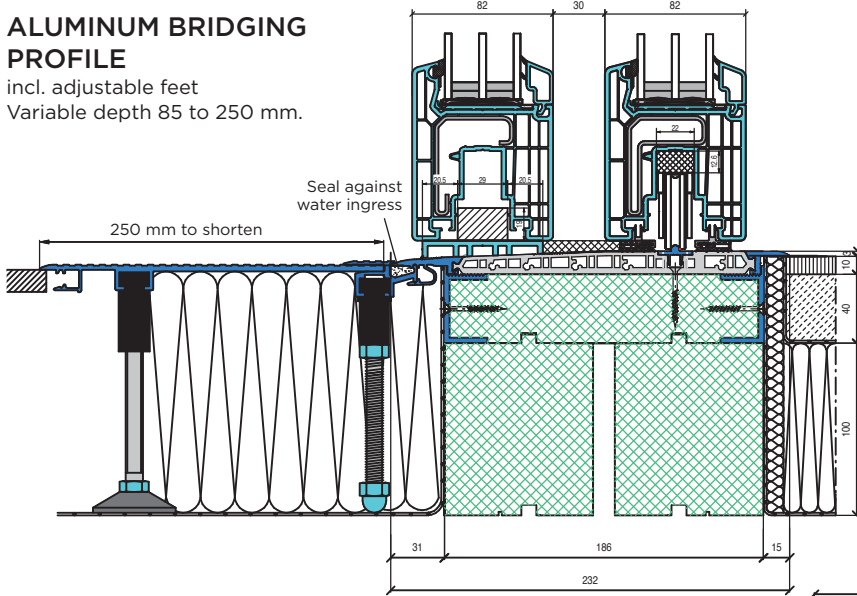
- HST flat threshold 10 mm floor recess
- + Base profile 40 mm
- + Variable thermal insulation for threshold foundation

AUXILIARY PROFILES FOR HST 20/2

Can be clipped in exterior of flat threshold for fixed connection

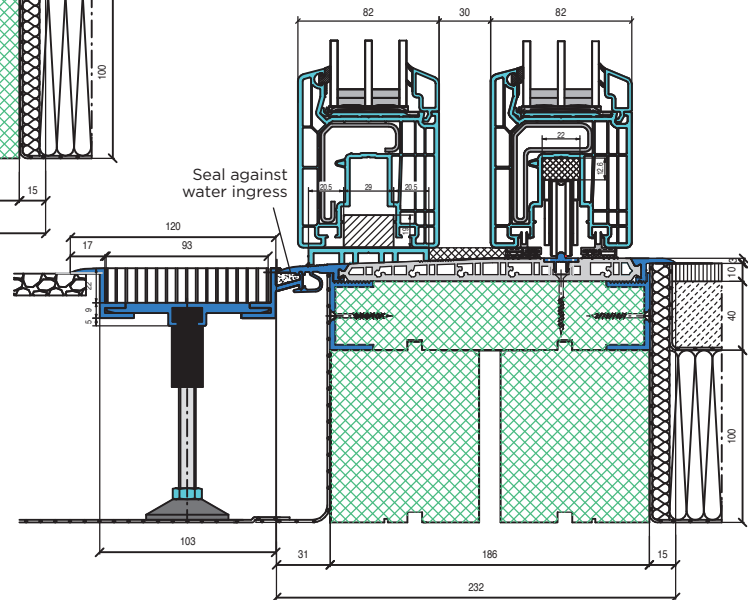
ALUMINUM BRIDGING PROFILE

incl. adjustable feet
Variable depth 85 to 250 mm.



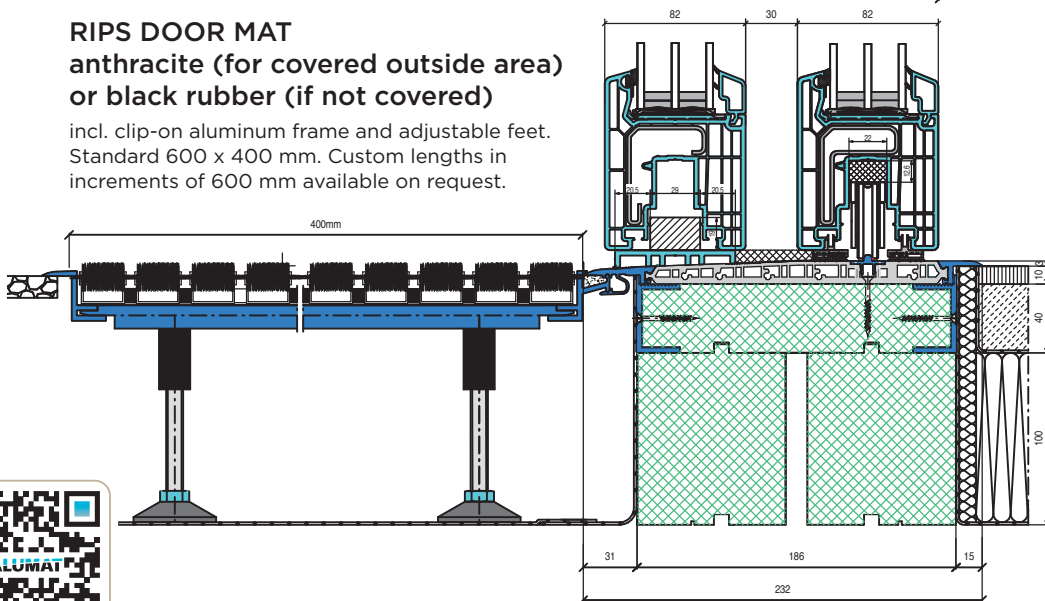
ALU CHANNEL FRAMES

incl. system grates; available in installation depth 120 or 170 mm.



RIPS DOOR MAT
anthracite (for covered outside area)
or black rubber (if not covered)

incl. clip-on aluminum frame and adjustable feet.
Standard 600 x 400 mm. Custom lengths in increments of 600 mm available on request.



DD_12.2024

