



HST 20 lift-and-slide door flat threshold

- Suitable for new construction and renovations
- For plastic lift-and-slide doors (winter gardens, patios, balconies)
- With PVC center section as optimum thermal isolation
- with load-bearing thermal insulation for threshold foundation

HST 20

New construction and renovation profile for lift-and-slide door systems (prefixed drainage channels are recommended)

Stock lengths 2500 to 6500 mm

Prefabricated delivery

Maximum user friendliness without wear or mechanics

Designed according to principles of universal design

COMPATIBILITY WITH THE FOLLOWING PROFILES:

Aluplast 8000, Gealan S9000, Profine 76, Profine 88, Rehau Synego, Rubo, Salamander eD82, Schüco LivingSlide, Vekamotion 82

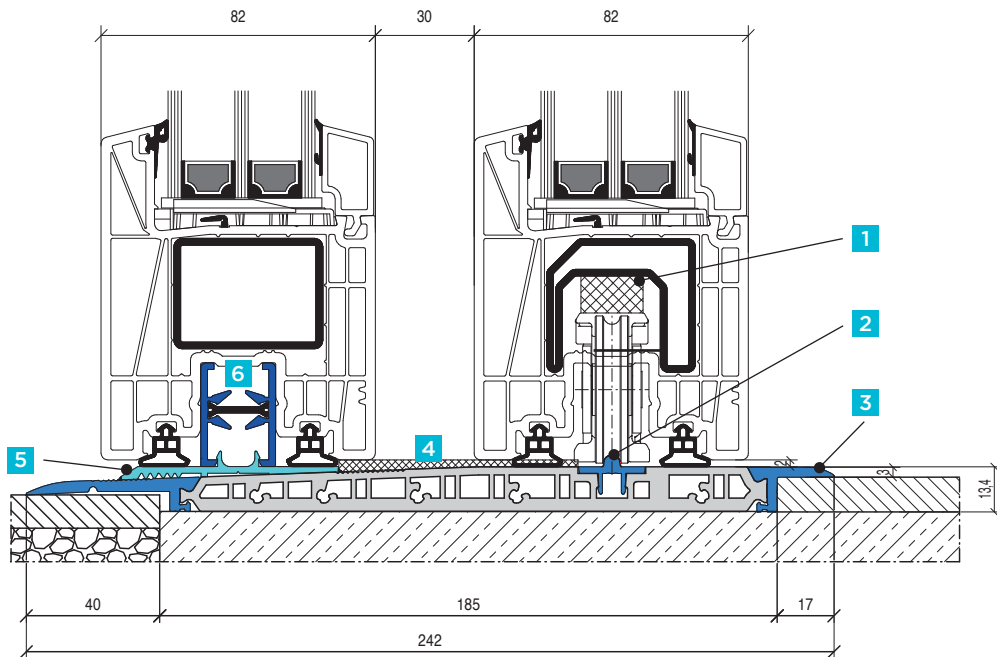
Last updated: April 2024 - subject to technical modifications

Lift-and-slide door flat threshold
without floor recess, thermally insulated.
 Alu EV 1 anodized with PVC center section.

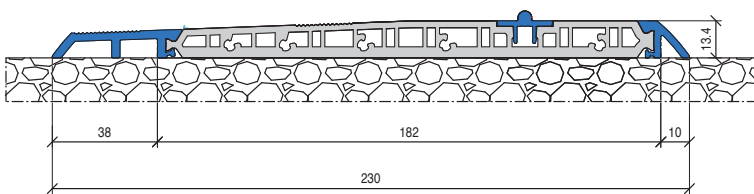
Calculation acc. to stock lengths: 2,500 / 3,000 / 3,500 /
 4,000 / 4,500 / 5,000 / 5,500 / 6,000 / 6,500 mm
 (Cut to fixed dimensions with decorative frame adapter pre-drilled ready for
 installation on threshold)

TYPE HST 20 with straight alu sills

Mounted on the rough floor. Sills cover the floor covering on both sides. Seal under flat threshold against pressurized water.

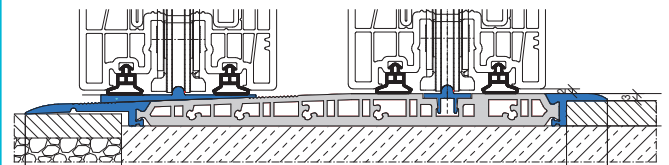


TYPE HST 20/1 SHORT with angular aluminum sills



max. stock lengths 6,000 mm.

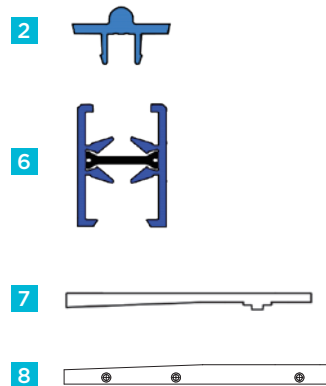
Compatible with **SCHEMA D**
 (two sliding leaves on two levels)



also with Schema A, C, F, G and K.

In general included in the scope of delivery:

- 1** One pair of plastic roller shimming, standard thickness, 1.5 mm x length 200 mm (Thickness can deviate depending on the system). Use as compensation profile on standard shimming from hardware manufacturer.
- 2** Aluminum roller guides EV 1 anodized to clip-on
- 3** Aluminum flat threshold EV 1 anodized with PVC center section, thermally insulated with protective film (Remove immediately after installation)
- 4** EPDM sealing cushion for middle joint
- 5** Plastic adapter for fixed part, light gray w. clipping function for **6**
- 6** thermally insulated compensation profile (system-dependent)
- 7** One pair of threshold connectors (system-dependent). Factory made holes on threshold (ready for installation).
- 8** One pair front PVC covers for flat threshold



When installing on the continuous floor (tile, marble, etc.) the sills on both sides are already adapted to the floor covering. Seal under flat threshold against pressurized water.

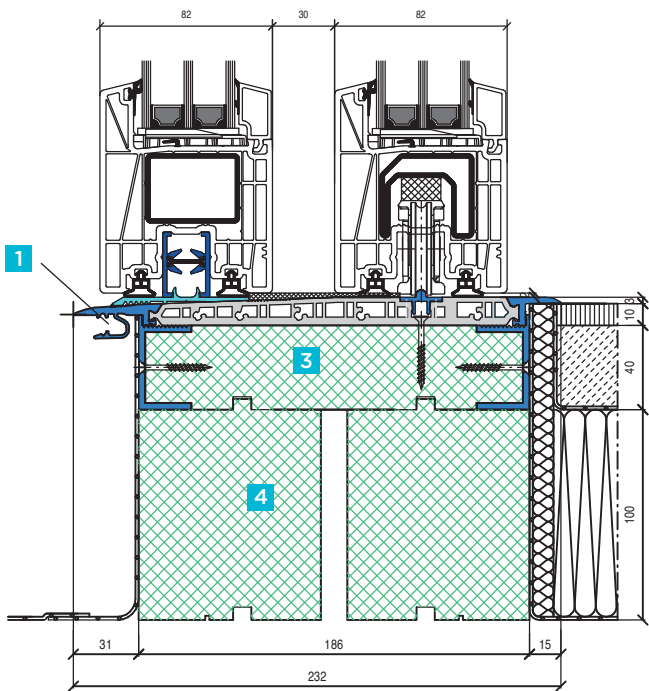
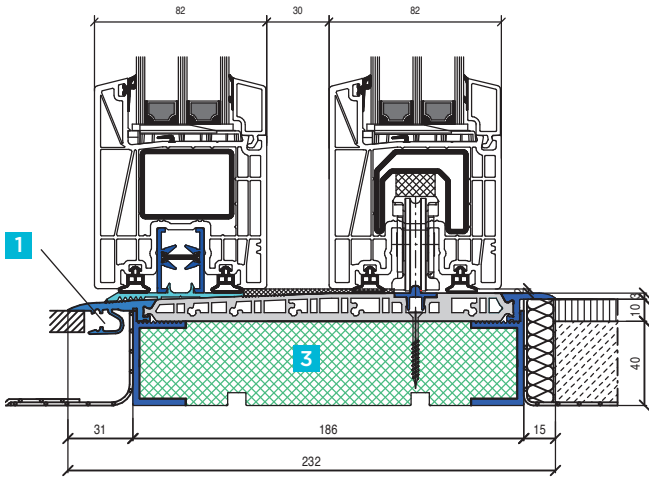
Note:

Due to various structural connection situations, condensation can occasionally form in the threshold area during extreme fluctuations in temperature. Driving rain seal should be requested depending on the system. Passive house compatibility is not certified. The PVC floor profile may cause UV-related discoloration. The protective film must be immediately removed after installation.

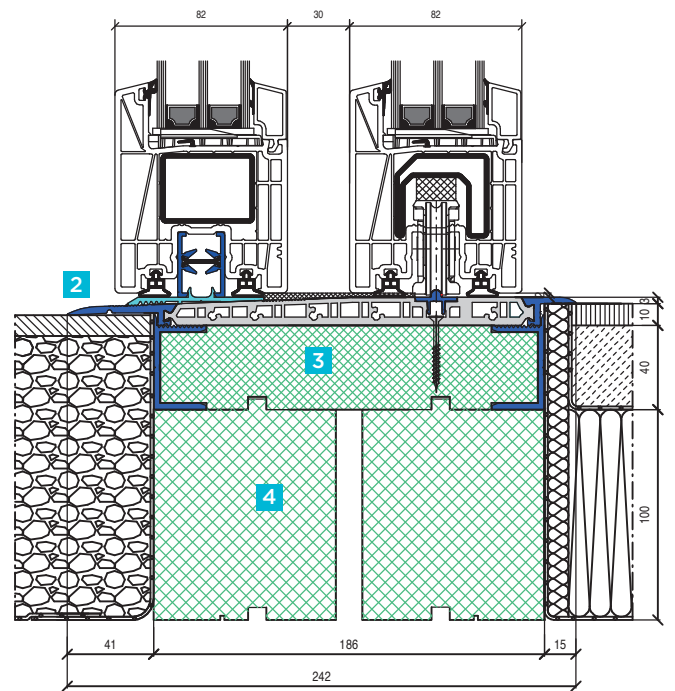
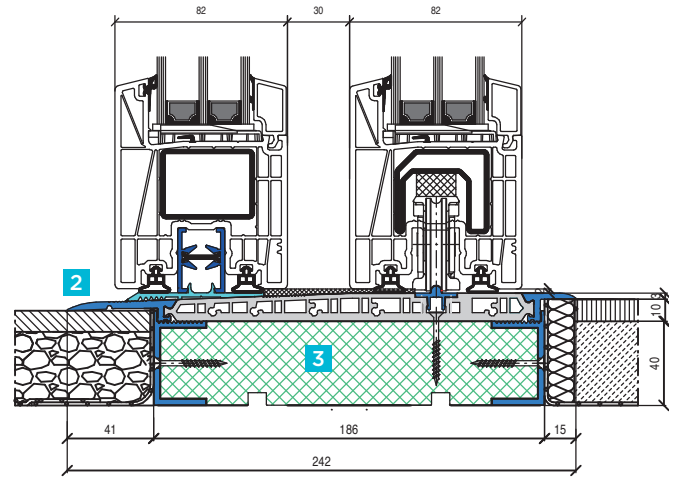
Lift-and-slide door flat threshold
with floor recess, thermally insulated.
 Alu EV 1 anodized with PVC center section.

Calculation acc. to stock lengths: 2500 / 3000 / 3500 / 4000
 / 4500 / 5000 / 5500 / 6,000 / 6,500 mm (Cut to length to fixed
 dimension with decorative frames, pre-drilled and ready for assembly on threshold)

TYPE HST 20/2



TYPE HST 20/3



1 Standard design **with** exterior clipping function for auxiliary profiles

2 Design with straight sills **without** exterior clipping function for auxiliary profiles

3 HST base profile for threshold foundation 182 x 40 mm (Material: PET).

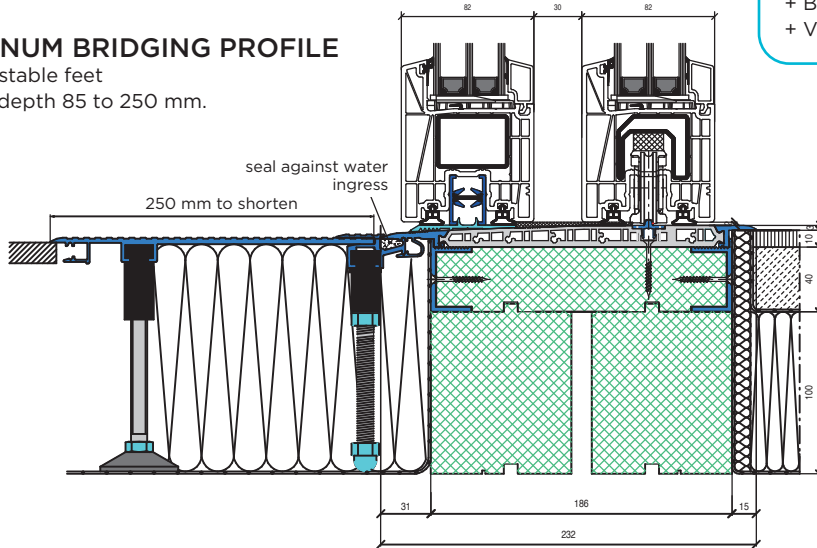
4 Load-absorbing thermal insulation, two-part for sticking on the HST base profile (Plug connection of 30, 40 and 50 mm)*.

*Pos 4 available for additional charge

Can be clipped-on on the exterior of flat threshold for fixed connection

ALUMINUM BRIDGING PROFILE

incl. adjustable feet
Variable depth 85 to 250 mm.

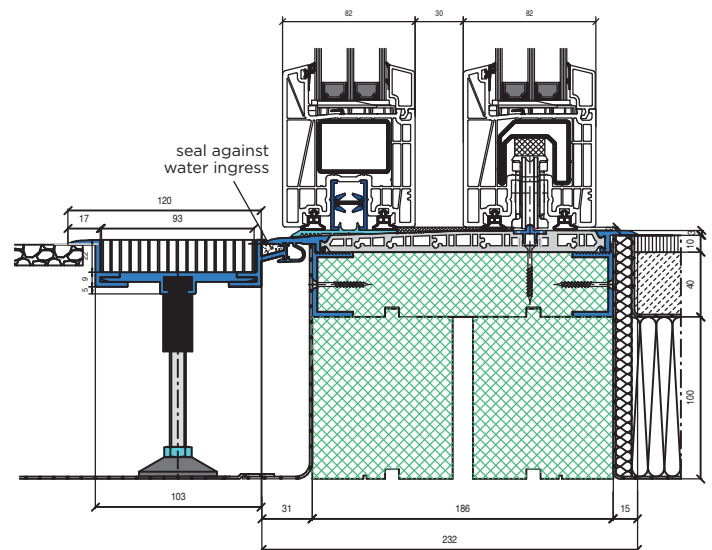


CALCULATION OF THE ENTIRE FLOOR STRUCTURE:

- HST flat threshold 10 mm floor recess
- + Base profile 40 mm
- + Variable thermal insulation for threshold foundation

ALU CHANNEL FRAMES

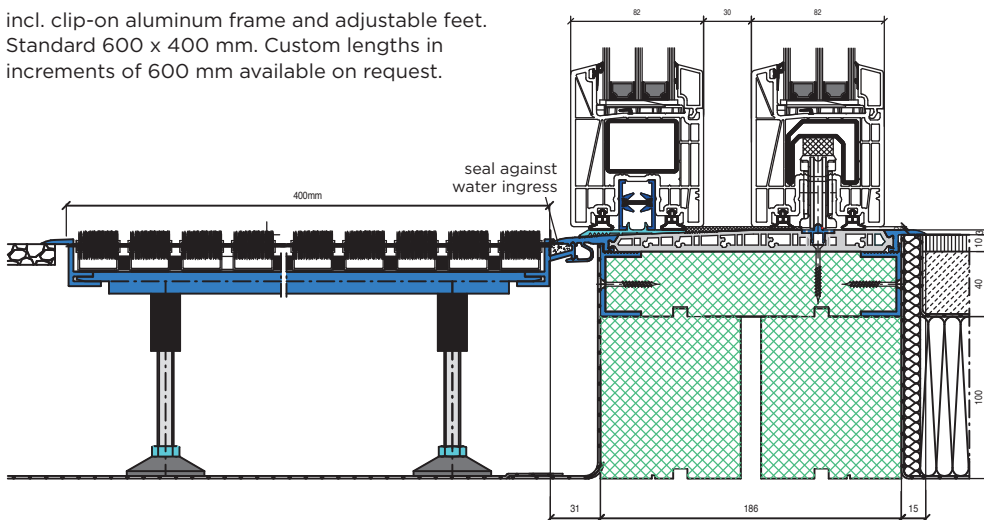
incl. system grates; available in installation depth 120 or 170 mm.



RIPS DOOR MAT

anthracite (for covered outside area) or black rubber (if not covered)

incl. clip-on aluminum frame and adjustable feet.
Standard 600 x 400 mm. Custom lengths in increments of 600 mm available on request.

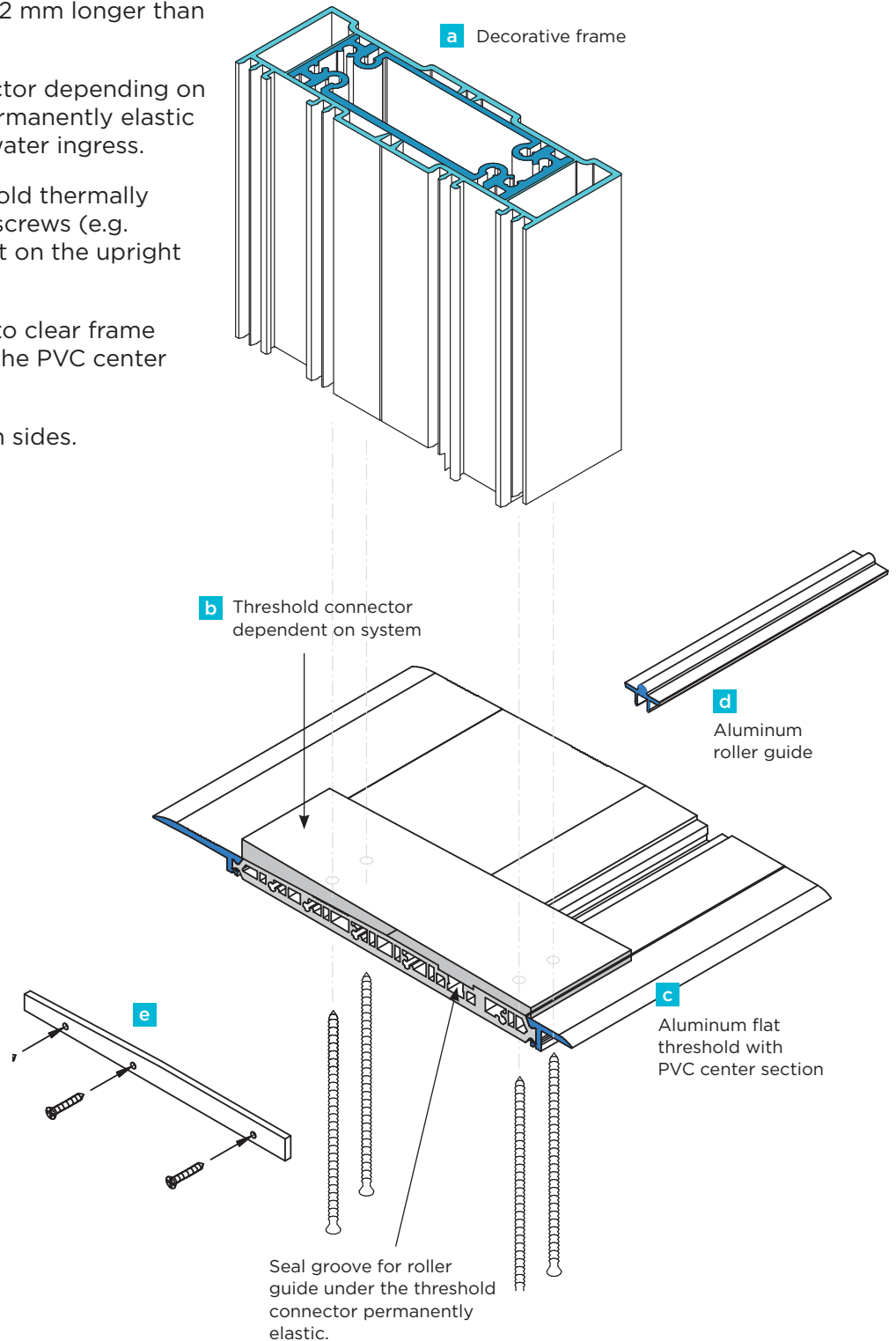


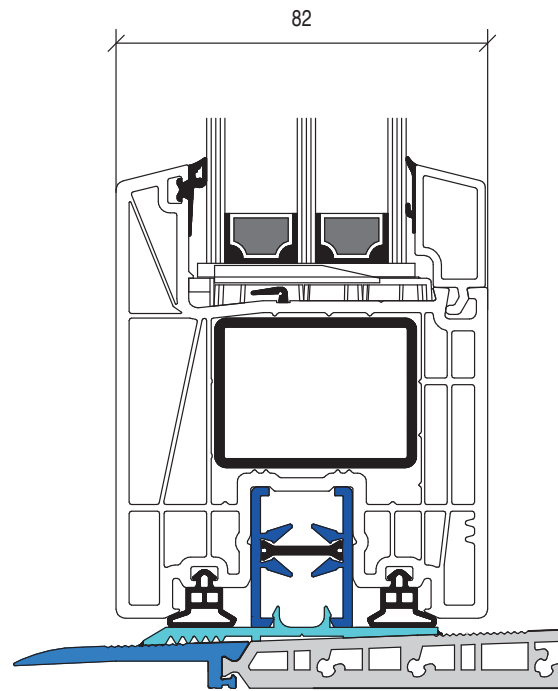
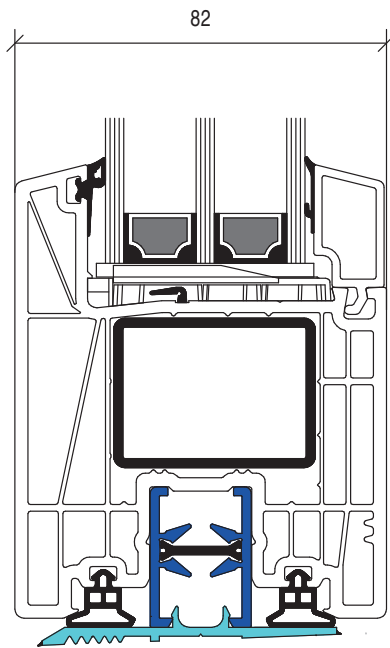
- a** Cut decorative frame to length. Follow the calculation of the cut to length dimension.

Type HST 20, 20/2 and 20/3: Leaf and fixed part 5 mm over OFF; decorative frame 2 mm longer than leaf or 3 mm over OFF.

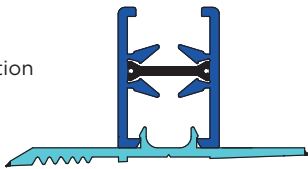
Type HST 20/1: Leaf and fixed part 15 mm over OFF; decorative frame 2 mm longer than leaf or 13 mm over OFF.

- b** Fasten the threshold connector depending on the system and seal with permanently elastic insulation material against water ingress.
- c** Fasten aluminum flat threshold thermally insulated with countersunk screws (e.g. 6 x 80 mm) adequately tight on the upright frame profiles.
- d** Cut aluminum roller guides to clear frame inner dimension and clip in the PVC center piece.
- e** Screw on face cover on both sides.



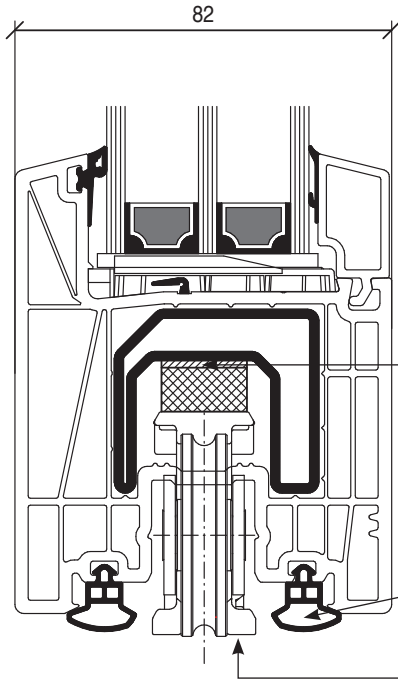


Thermally insulated compensation profile



- 1 Slide in plastic adapter from below.
- 2 Apply sealant to seal.
- 3 Adjust the fixed leaf in the frame and tightly clamp. During the adjustment of the fixed leaf on the threshold, pay attention to the dimension to the sliding leaf.
- 4 Drill fastening holes of the fixed leaf at a spacing of 350 mm through the flat threshold and the adapter.
- 5 Screw on the flat threshold from below into the fixed leaf. The screw heads must not protrude!

SLIDING LEAF ASSEMBLY



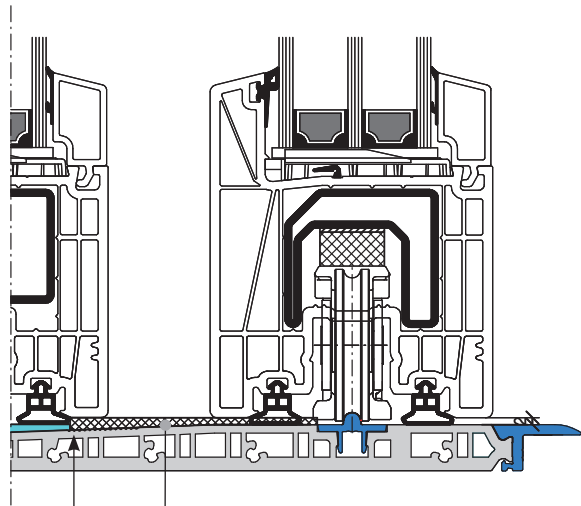
Use plastic roller shimming 1.5 x 200 mm as compensation profile on standard shimming from hardware manufacturer.

Use original leaf seals from profile suppliers

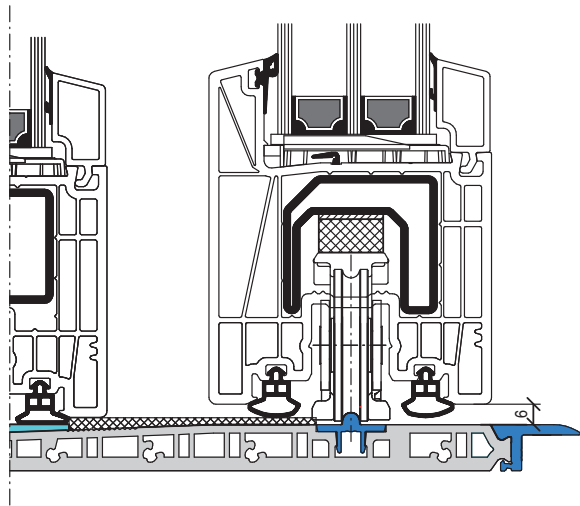
Assemble the carriage and hardware according to the specifications of the hardware manufacturer.

SEALING CUSHION ASSEMBLY

Door closed



Door opened



Apply glue to the sealing cushion and adhere according to the view on page 9 under the fixed leaf on the threshold.

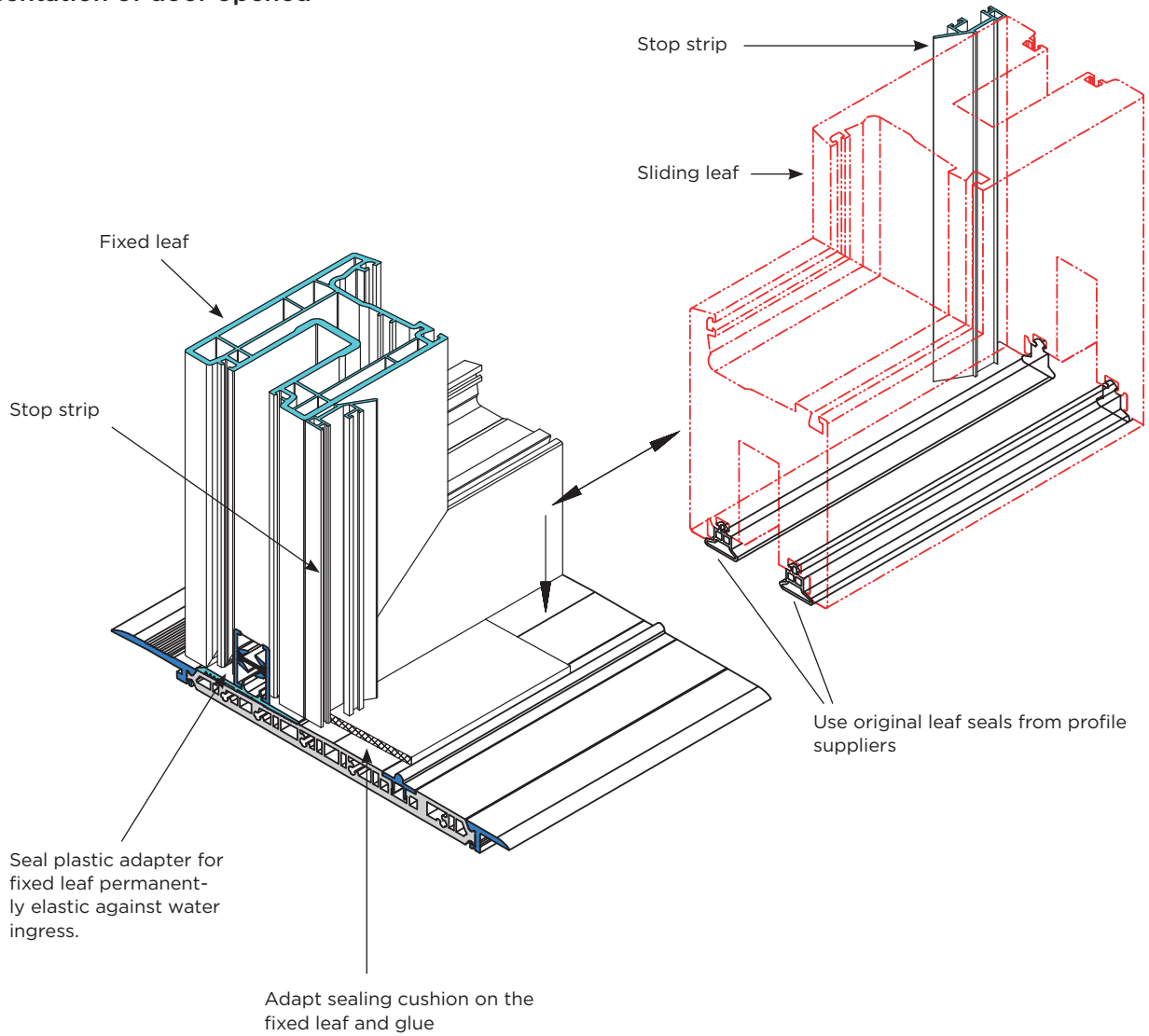
Cut sealing cushion here cleanly to length

Important note for handle hole:

By using the plastic roller shimming, depending on the thickness of the roller shimming and profile system, the handle hole moves downward by the corresponding height dimension of the roller shimming!

Therefore we recommend to only make the handle hole according to a precise determination of the height of the roller shimming and never to consider the standard hole as a GIVEN.

Representation of door opened



Important note:

Make sure of adequate threshold stabilization during construction site transport.

Recommendation for the quote text for lift-and-slide threshold HST 20:

ALUMAT flat threshold, barrier-free, Aluminum EV1 anodized with PVC center piece thermally insulated for **slide-and-lift doors made of plastic-in new construction and renovations** assemble function-oriented acc. to installation instructions of the manufacturer.

RENOVATION PROFILE WITHOUT FLOOR RECESS:

Type HST 20 with straight aluminum sills Piece: Length:

Type HST 20/1 short with angular alu sills Piece: Length:

NEW CONSTRUCTION PROFILE WITH FLOOR RECESS

incl. HST base profile for threshold foundation 182 x 40 mm (Material PET):

Type HST 20/2 with exterior clip function for channel,
Bridging profile or door mat Piece: Length:

Type HST 20/3 without exterior clip function,
with straight sills Piece: Length:

AUXILIARY PROFILES:

Load-absorbing thermal insulation (PET) for HST threshold foundation down to the the rough floor for inserting on HST base profile; plug-in connection 30, 40 or 50 mm

Piece: Length: Plug-in connection:

ALUMINUM BRIDGING PROFILE (to cover the thermal insulation composite system)

variable adaptation option from 85 to 250 mm, with swiveling coupling option for ALUMAT magnet double seal.

Piece: Length: Depth: Floor structure:

ALUMINUM CHANNEL FRAME EV1 ANODIZED with adjustable feet and swiveling coupling option for ALUMAT magnet double seal or to aluminum bridging profile.

Installation depth 120 mm Installation depth 170 mm

Piece: Length:

SYSTEM GRATES

93 mm wide, mesh width 30 x 10 mm fitting the aluminum channel frame **installation depth 120 mm**

145 mm wide, mesh width 30 x 10 mm fitting the aluminum channel frame **installation depth 170 mm**

hot-galvanized stainless steel (for 93 mm width stainless steel perforated plate supplied)

DOOR MAT RIPS ANTHRACITE OR RUBBER with clip-on aluminum frame and adjustable feet

600 x 400 mm piece:

1,200 x 400 mm piece:

1,800 x 400 mm piece:

Custom lengths in increments of 600 mm available on request.

ORDER INFORMATION FOR ORDER PROCESSING TYPE HST 20
RENOVATION & NEW CONSTRUCTION for plastic lift-and-slide doors

Calculation according to stock lengths: 2.500/3.000/3.500/4.000/4.500/5.000/5.500/6.000/6.500 mm

	Piece	Cut to decorative frame outside dimensions	Floor structure OKFF down to rough floor
1. Renovation profile			
HST 20 EV1 (straight sills cover the floor covering on both sides)	
HST 20/1 short EV1 (*max. Stock lengths 6,000 mm) (angular sills adapted on both sides to the continuous floor covering)	
2. New construction profile			
HST 20/2 EV1 with exterior clip function for auxiliary profiles incl. HST base profile for threshold foundation 182 x 40 mm (Material PET)
HST 20/3 EV1 with straight sills without clip function incl. HST base profile for threshold foundation 182 x 40 mm (Material PET)

3. Profile manufacturer:

- Aluplast 8000 Gealan S9000 Premidoor 76 Premidoor 88
- Rehau Synego Rubo Salamander eD82 Schüco LivingSlide
- Veka (Vekamotion 82)

Alternative installation guidelines no. 2 exists for other profiles.

Positions 4-7 available for a surcharge:

4. Load-absorbing thermal insulation (PET) for HST 2-part threshold foundation for inserting on HST base profile; plug-in connection of:

- 30 mm Piece: Length:
- 40 mm Piece: Length:
- 50 mm Piece: Length:

View from inside with dimensional data

Additional profiles for threshold type HST 20/2

5. EV1 aluminum channel frame incl. grating
 hot-galvanized Stainless steel
 Installation depth: 120 mm 170 mm
 Length: Floor structure:
6. Aluminum bridging profile EV1 Desired depth: (85 to 250 mm)
 Length: Floor structure:

7. Doormat

- Clip-on aluminum dirt collection pan Piece:.....
Alternative: clip-on aluminum frame with adjustable feet Piece:.....
 Rubber insert, black for non-covered outside area Piece:.....
Alternative: Rips anthracite insert for covered outside area Piece:.....
 600 x 400 mm Other length: Custom lengths every 600 mm available on request.

8. Side framework expansion Dimension:
9. Plastic adapter for fixed part Light gray (threshold color), Length:
10. Schema A Schema C Schema D Schema G Schema K
 Corresponding drawing please!
11. Construction plan:
12. Architect:
13. Desired delivery data in week:

Customer stamp:



Cleaning:

Remove the protective films immediately after installation. The films are used only for protection during transport and installation and can damage the profile if left for longer periods. Afterwards, clean the frame and clear off the dirt. For this purpose, use warm water, pH-neutral soap and a cleaning rag or a soft brush. After cleaning rinse everything (including the seals) with clear water in order to remove the cleaning agent residues.

Please make sure never to use:

- Surface destroying abrasives or chemicals such as Nitro-thinner, gasoline, acetic acid, nail polish remover, alcohol or similar (also not as additive in cleaning agents)
- Cleaning agent with orange/lemon aroma
- Ammonia-based agents, ammonia solution
- Sulfur containing agents (Tile cleaner)
- Sandy and abrasive cleaning agents
- Aids such as steel or scouring sponge
- Scouring pad

ALUMAT
TESTED QUALITY
FOR LONG SATISFACTION

DD_12.2024

